

DS – For large flow



DS-1.6A-T

Materials DS-1.6 ~ 16: Casing: Aluminium alloy die casting (ADC12) and zinc-coated steel plate

DS-25 ~ 160: Casing: Zinc-coated steel plate

All models:

Inner parts: Aluminium alloy die casting, zinc-coated steel plate and polyacetal resin

Diaphragm: Polyester cloth with hydrin rubber (CHC+NBR)

Other parts: Nickel-coated brass, stainless steel and polycarbonate (PC)

Operating pressure limit 0kPa to 20kPa

Operating temperature limit -10°C to 50°C

Model	Da pulse rate option	A pulse rate option	Model	Distance between inlet/outlet center	W	H1	H	L	L2	Weight (kg)
DS-1.6A	0.01	0.1 1	DS-1.6A	130	174	219	279	173	94	4.7
DS-2.5A	0.01	0.1 1	DS-2.5A	130	174	240	299	178	102	5.1
DS-4A, -6A	0.01	0.1 1	DS-4A, -6A	130	195	269	330	196	120	6.5
DS-10A, -16A	0.1	1 10	DS-10A, -16A	220	300	341	421	253	167	11
DS-25A	0.1	1 10	DS-25A	220	417	452	534	421	367	24
DS-40A, -65A	1	10 100	DS-40A, -65A	320	513	573	655	474	423	36
DS-100A, -160A	1	10 100	DS-100A, -160A	380	639	728	841	559	519	68

Model	Measuring range	Diaphragm capacity (L)	One revolution (L)*	Minimum scale (L)	Pulse rate (L/p)	Pressure loss (Pa)	Gas tube
DS-1.6A	0.16 ~ 26.6L/min (0.01 ~ 1.6m ³ /h)	0.6	10	0.2	0.1	220	20A 3/4B
DS-2.5A	0.37 ~ 41.6L/min (0.02 ~ 2.5m ³ /h)	0.9	10	0.2	0.1	220	20A 3/4B
DS-4A	0.5 ~ 66.6L/min (0.03 ~ 4m ³ /h)	1.7	10	0.2	0.1	220	20A 3/4B
DS-6A	0.66 ~ 100L/min (0.04 ~ 6m ³ /h)	1.7	10	0.2	0.1	300	20A 3/4B
DS-10A	1.16 ~ 166L/min (0.07 ~ 10m ³ /h)	4	100	2	1	300	32A 1 1/4B
DS-16A	1.66 ~ 266L/min (0.1 ~ 16m ³ /h)	4	100	2	1	300	32A 1 1/4B
DS-25A	2.5 ~ 416L/min (0.15 ~ 25m ³ /h)	9	100	2	1	300	50A 2B
DS-40A	5 ~ 666L/min (0.3 ~ 40m ³ /h)	20	1000	20	10	300	50A 2B
DS-65A	6.66 ~ 1083L/min (0.4 ~ 65m ³ /h)	20	1000	20	10	300	50A 2B
DS-100A	10 ~ 1666L/min (0.6 ~ 100m ³ /h)	40	1000	20	10	300	80A 3B
DS-160A	16.6 ~ 2666L/min (1.0 ~ 160m ³ /h)	40	1000	20	10	400	80A 3B

*Analogue pointer can be attached as an option

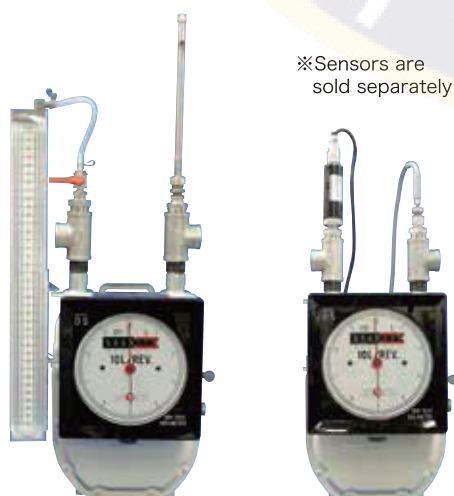
*Rubber tube connection is available as an option

Symbols

DS ①-② A ③-④

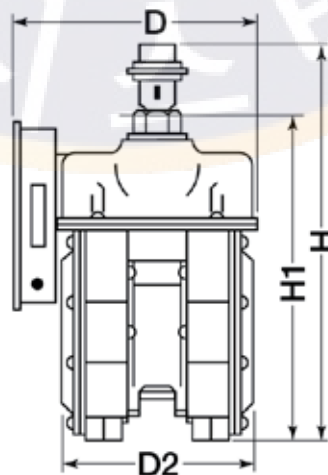
*Corrosion resistant uses Ce

- ① Pulse output
A : Explosion-proof
Da : Regular (magnified)
Blank : Regular
- ② Maximum flow rate
1.6/2.5/4/6/10/16/25/40/65/100/160
- ③ Option
o : Degreased
- ④ Option
T : Analogue pointer
M : With 3.6kPa manometer and rod thermometer
S : With mounting brackets for temperature and pressure sensors
R : Rubber tube joint
Without : Gas pipe joint (standard)



DS-6A-TM

DS-6A-TS



Repeatability: ±0.3% (standard deviation)

*Changes depending on the measurement situation